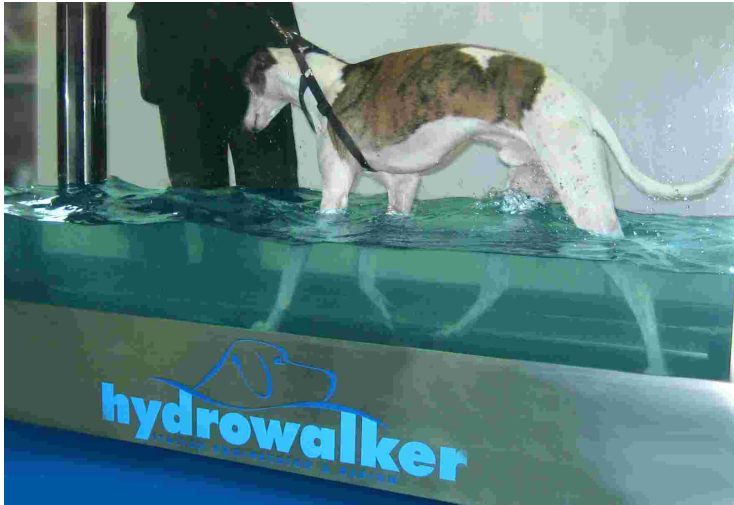


UNDERWATER TREADMILL
HYDROWALKER SYSTEM




hydrowalker[®]
ITALIAN ENGINEERING & DESIGN



PECULIARITY OF HYDROWALKER SYSTEM

COMPONENTS

Metric scale to check the water level.

Working bath holds up to 70 cm. water allowing the floating.

Internal platforms for safety walking standing position.

Conveyor belt - speed can be ranged from 0 to 10 km/h. - in cleaning position can be inclined to 45 or 90 degree angles.

Stainless steel internal/external platforms, easily removable with anti-slip surface.

Removable control panel.

Safety operator handles.

Hooking devices for body supports.

Aadjustable stainless steel feet.

ADVANTAGES OF HYDROWALKER SYSTEM

PLUS

Water can partially empty.

Operable whith no water.

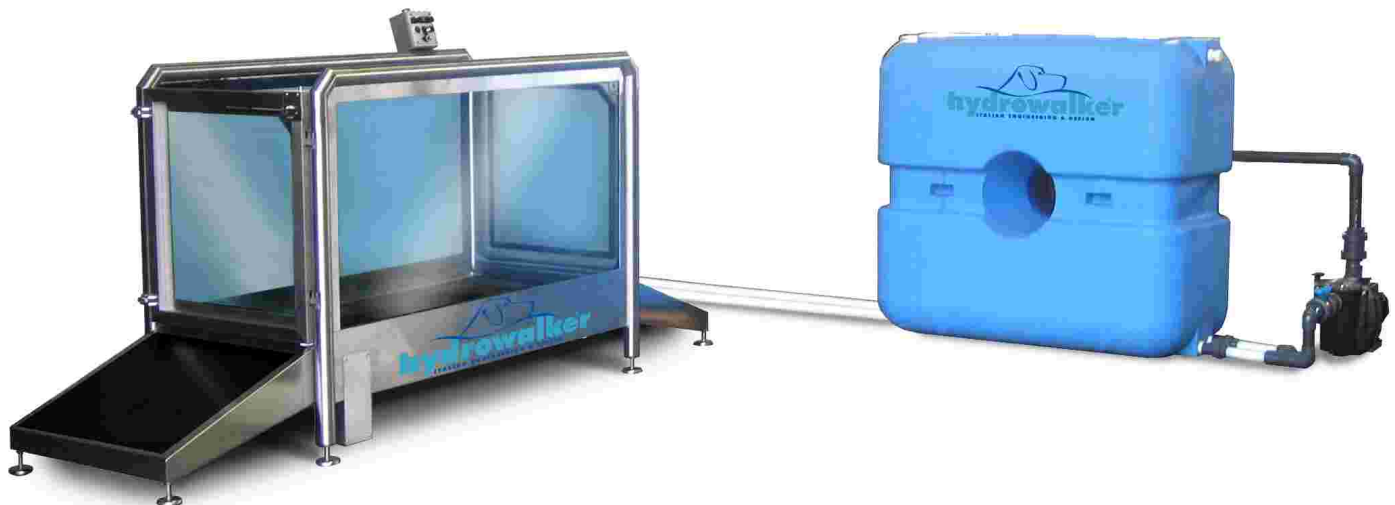
Total visibility from each side of the bath.

Different shapes for access platforms according to available spaces.

Quick water heating system.

Low electricity consumption.

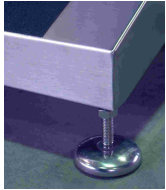
Self cleaning working bath.



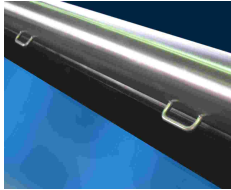
ITALIAN, RATIONAL, ECOLOGICAL, VERY SOLID, SAFE AND CHEAP.



A



B



C



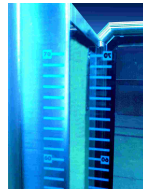
D



E



F



G



H



I



I

- A CONTROL PANEL
- B STAINLESS STEEL FOOT
- C SLING SUPPORTS
- D ELECTRIC PANEL
- E HANDLE
- F CONVEYOR BELT
- G METRIC SCALE
- H VANISHING HANDLES
- I CLEANING POSITION

STANDARD AND OPTIONS OF HYDROWALKER SYSTEM

SAFETY AND WARRANTY

One year warranty with direct assistance.

External motor standing alone from the water.

Emergency stop to cease the operation of machine with the quick emptying of the bath.

Manufactured according to the standard notions of health and safety.

Main controls connected to a safety key.

OPTIONALS

Reversibility of conveyor belt direction.

Digital display for the conveyor belt speed control.

Second bath in PVC to collect the water for irrigation/further use.

Recycling system with filtration and sanitization.

Hydromassage and against water system.

Operator seat.

Drier system.

Different shapes for access platforms according to available spaces.

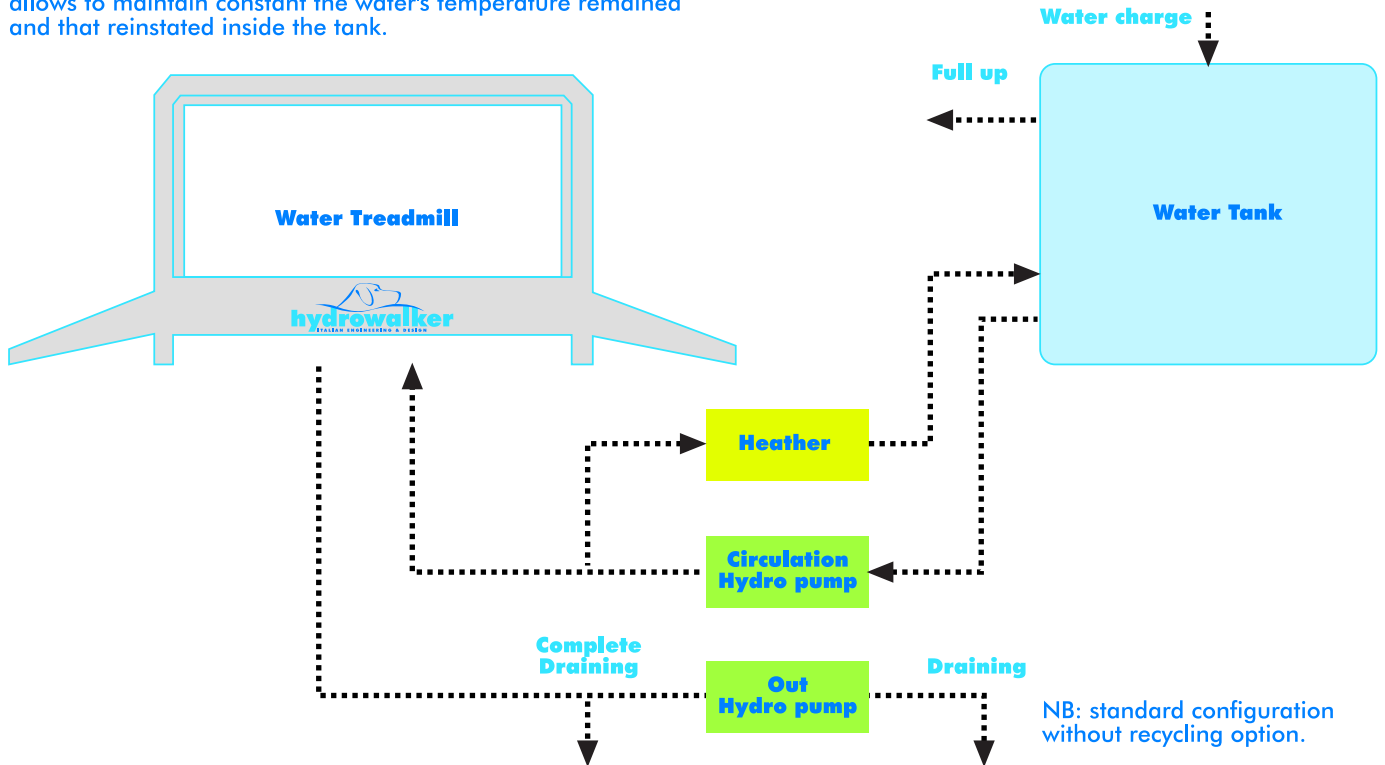
Working process:

- during the work in the water treadmill, circulation is cut off and when requested, water comes directly in the water treadmill to the desired temperature and in her necessary quantity.

- ended the job, it begins the emptying up to bring the carpet in superface. To this point the emptying happens total of the water treadmill.

- a least quantity is reinstated of clean water and the water treadmill is ready for another cycle of job

- when the water treadmill is in stand by, the circulation it allows to maintain constant the water's temperature remained and that reinstated inside the tank.



TECHNICALS OF HYDROWALKER SYSTEM

TECHNICAL SPECIFICATIONS

Plug & play, delivered pre-installed.

Three phase electrical feeding system, 380V.

Structure in stainless steel AISI 304.

TECHNICAL DATAS OF HYDROWALKER SYSTEM

DIMENSIONS

EXTERNAL DIMENSIONS AND WEIGHT (mm/kg)

Width:	863
Length:	1810 +platforms 3090
Maxi model length:	2200 +platforms 3480
Height:	1266
Tare.	395 Maxi model: 480

INTERNAL DIMENSIONS AND CONVEYOR BELT

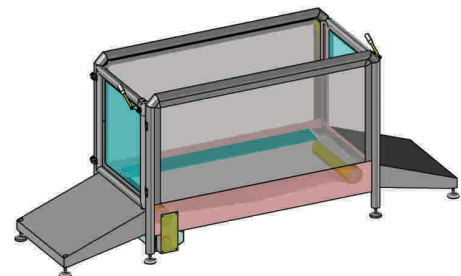
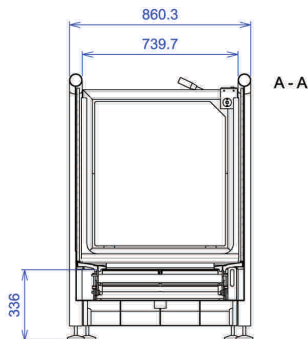
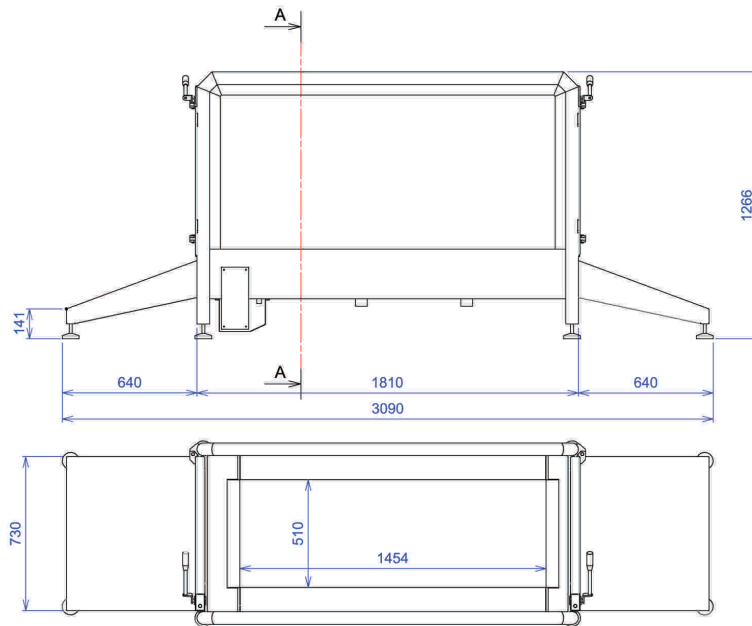
Width:	823
Length:	1804
Height:	966
Maxi model length:	2194
Conveyor belt width:	510
Conveyor belt lenght:	1454
Maxi conveyor belt lenght:	1844

TANK

Width:	680	Maxi: 680
Length:	1400	Maxi: 2010
Height:	1265	Maxi: 1750

PUMPS CART

Width:	500
Length:	1300
Height:	1226





EU protected model



REFERENCES OF HYDROWALKER SYSTEM

INSTALLATIONS

Clinica Veterinaria Città di Saronno, (Varese-I)

Clinica Veterinaria San Martino, (Novara-I)

Clinica Veterinaria Dott. Polveroni (Rieti-I)

Clinica Veterinaria Roma Sud, (Roma-I)

Ass. Cinofila Le Code Lunghe (Milano-I)

Medical Gym, (Cagliari-I)

Klinika Weterynaryjna Dr. Grzegorza, (Poznan-PL)

Tierklinik Dr. Krebitz, (Klagenfurt-A)

